

POWER-FLEX

The 1st Hybrid Mobility
System for All Active
Wheelchair Users.

SPECIFICATIONS



K5 Manual Wheelchairs

Compatible US Manufacturers

- Ki Mobility
- Motion Composites
- RGK / Sunrise Medical
- TiLite / Permobil



On-Demand
Manual
Tilt

Wired Joystick
Controller

Swing Away
Joystick Mount

Textured Grip
Handrims

MWC Frame
Isolating Suspension

Quick Release Axle
Pins

PFX Power Drive Specs

Speed: 5 mph

Range: 12 miles

Battery: U1, 2 ea

Base Weight: 115 lbs.

Footprint: 24" w x 25" d x 13" h

(base only / folded for transport)

Tilt & Suspension

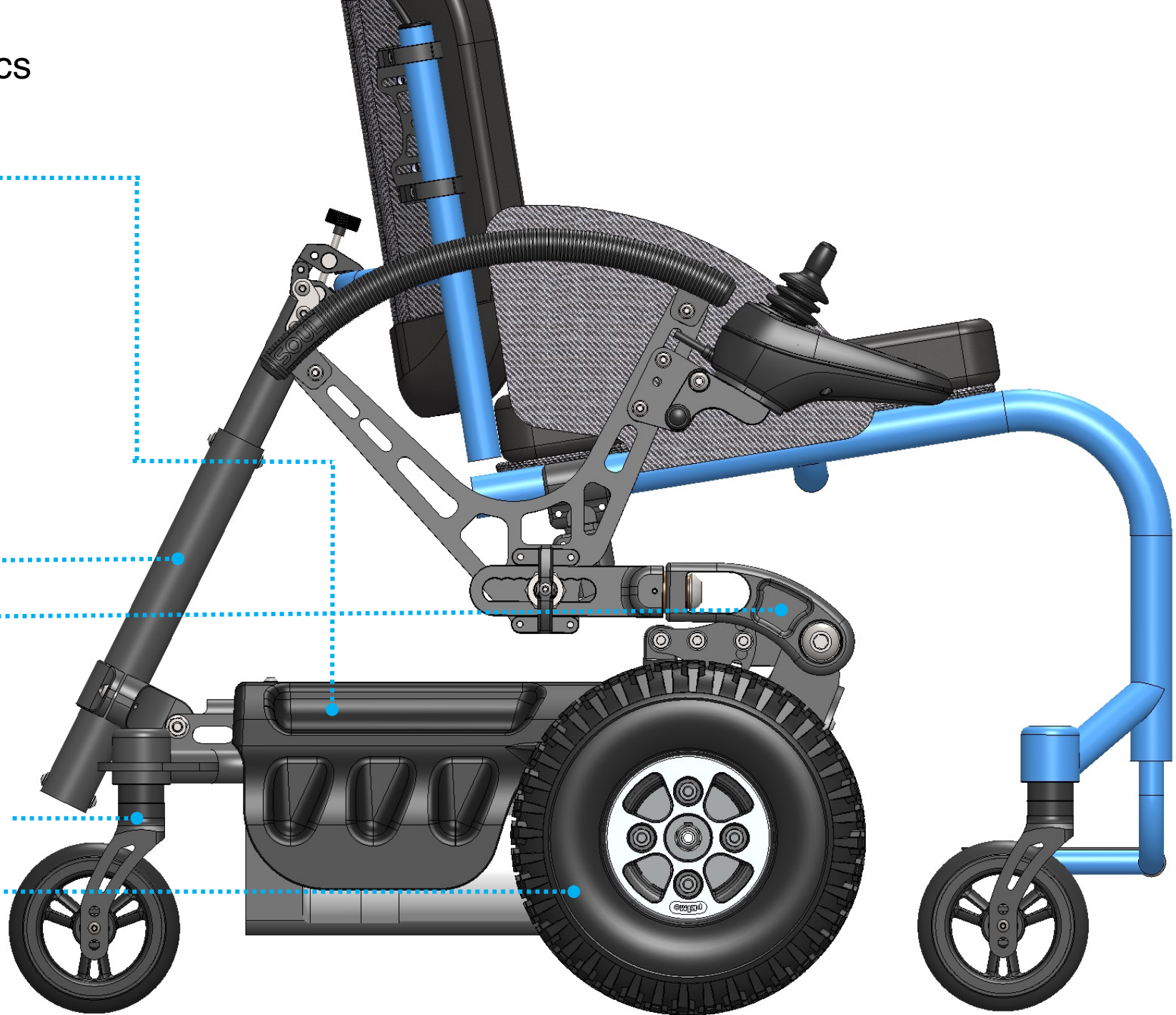
User Spring Rate Options:

- a) User weight up to 150 lbs.
- b) User weight 150 lbs. plus

Rear Caster: 5" w/ Std Fork

- a) Frog Leg Suspension (optional)

Drive Tires: 10" Solid



ANATOMY OF THE PFX

- K5 Manual Wheelchair
- Ki Mobility
 - Motion Composite
 - Sunrise / RGK
 - TiLite

Textured Grip Handrims

Wired Joystick Controller

Swing Away Joystick Mount

Manual Wheelchair Frame Isolating Suspension

Spring Loaded Axle Pin

Knobby Drive Tires

Rear Casters
- Frog Legs Suspension (optional)

On-Demand Manual Tilt





Wired Joystick Controller

Swing Away Joystick Mount

Textured Grip Handrims

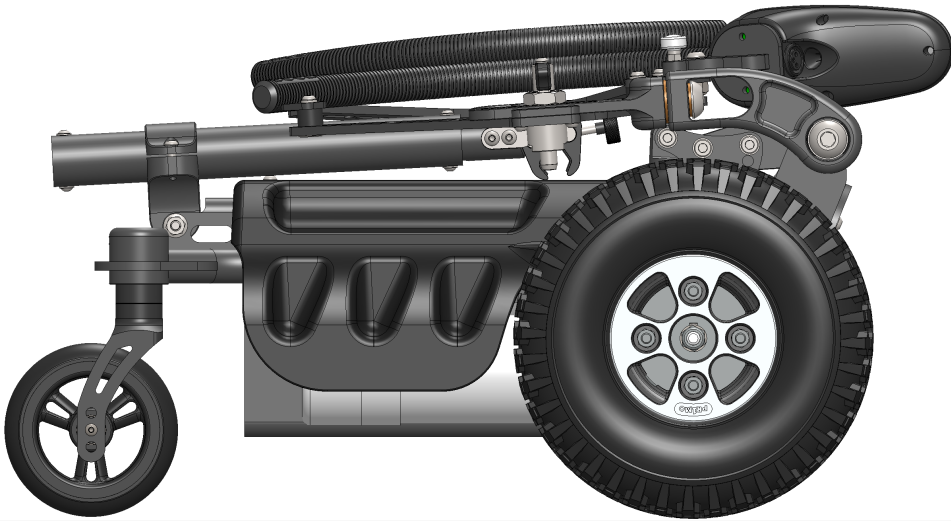
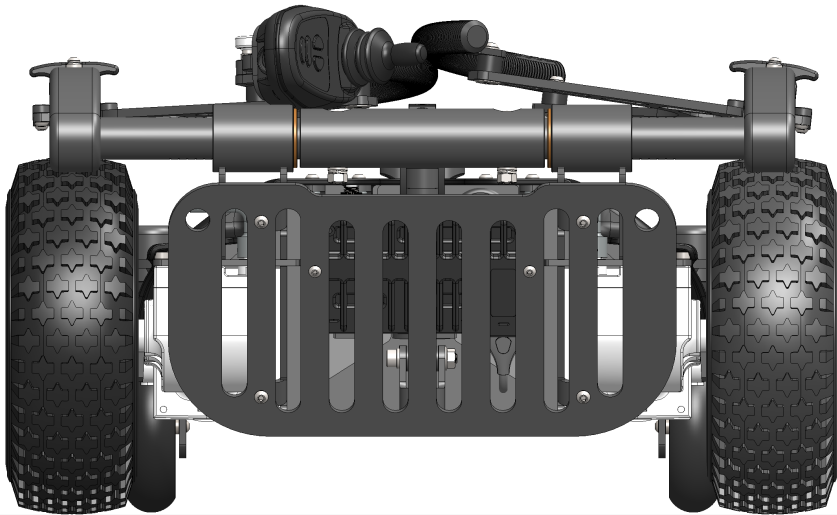
MWC Frame Isolating Suspension

On-Demand Manual Tilt

BASE TRANSPORT - Folded Height

FRONT VIEW

RIGHT SIDE VIEW



←····· Width = 24" / 61 cm ·····→

←····· Depth = 26" / 66 cm ·····→

Folded Height
13" / 33 cm

BASE TRANSPORT – Overall Footprint

TOP VIEW

