

# SOUL

MOBILITY

## The 1st Hybrid Mobility System for All Active Wheelchair Users.

### Power-Flex: Power Drive Attachment

- 30 Second Install
- Integrated Suspension & Positioning Systems
- User Activated Manual Tilt
- True Hybrid Mobility



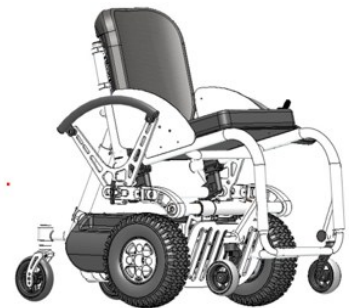
Power-Flex is the ultimate hybrid mobility solution, bridging the gap between lightweight manual wheelchairs and large dedicated powerchairs with user activated manual tilt, suspension, and intuitive joystick control. Empowering user of all ages and abilities, to push or go full power on their terms!



Power-Flex



Manual Wheelchair



Best of Both

**Experience the flexibility to push or go full power on your terms with the all new Power-Flex**

See more by visiting our website:



[soul-mobility.com](http://soul-mobility.com)

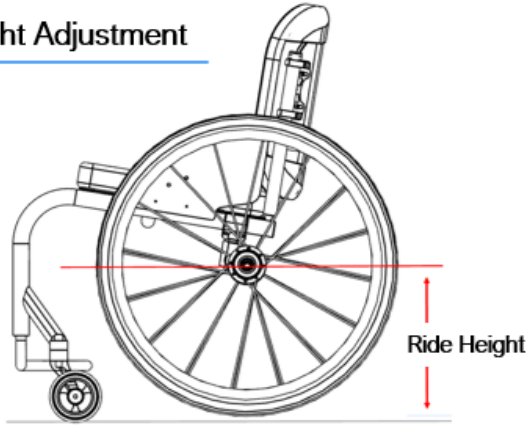
855-SOULMOB (855-768-5662)

[contact@soul-mobility.com](mailto:contact@soul-mobility.com)

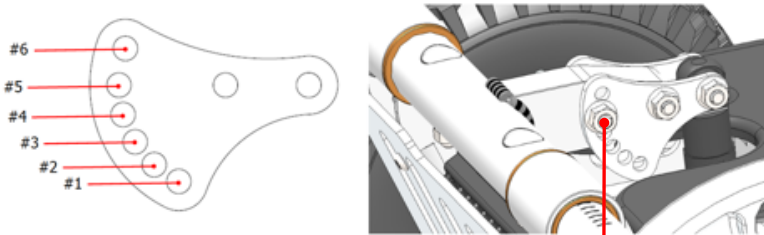


**Hybrid Mobility ~ Push or Power**

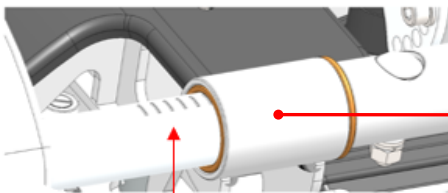
## Ride Height Adjustment



six adjustment settings allows PFX to be set at the same ride height, feel and footprint as manual chair configuration



## Width Adjustment

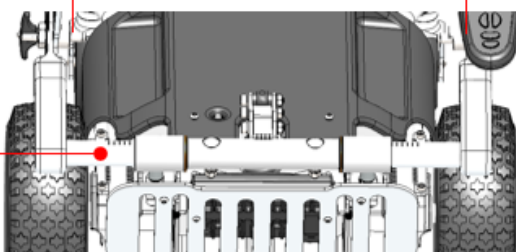


width adjustment hash marks

three options in shaft lengths allows PFX to adjust from 12" pediatric to 20" adult chair widths

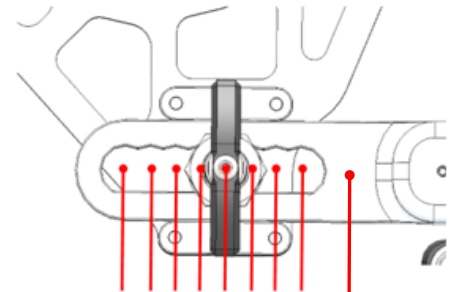
Model #	Fits Seat Width	For Camber Tube Lengths
PFX1214	12 - 14"	13 - 16.5"
PFX1517	15 - 17"	16 - 19.5"
PFX1820	18 - 20"	19 - 22.5"

12 to 20" width

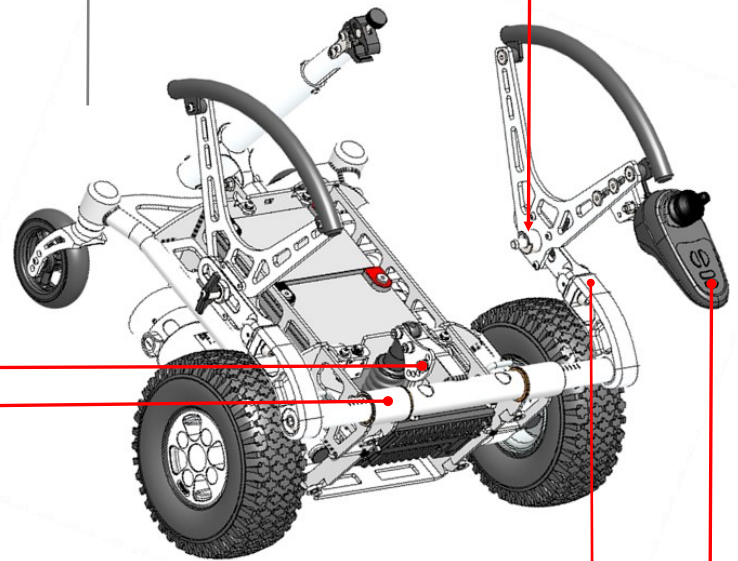


## Axle CG Adjustment

eight axle positions facilitates the ability to fine tune the PFX center of gravity

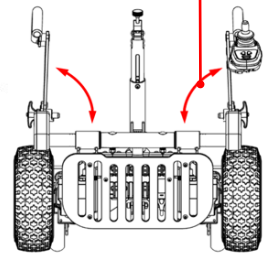


8 forward / rear axle positions



## Handrim Folding / Camber Adjustment

adjusts to multiple degrees of camber and allows handrims to fold down/inward for storage, airline or vehicle transport



## SPECS:

- Weight: 115 lbs
- Range: 12 miles
- Speed: 5 mph
- Footprint: 23" W x 25" D

## Drop Down Joystick Mount

Options:

- 1) Pull Knob (STD)
- 2) Pull Ring & Loop (QUAD)

